

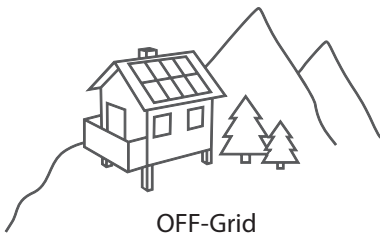


B-Box 13.8



The battery for all applications

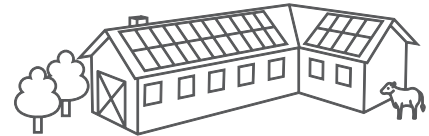
- From 13.8 to 442 kWh
- 1 and 3 phase systems
- Maximum security, cycle-stability and power
- Emergency-backup through high discharge power
- Upgrade anytime



OFF-Grid

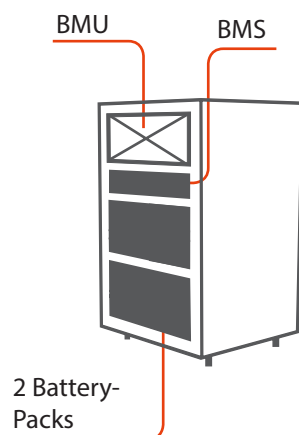


Self-consumption optimization



Commercial applications

B-Box 13.8



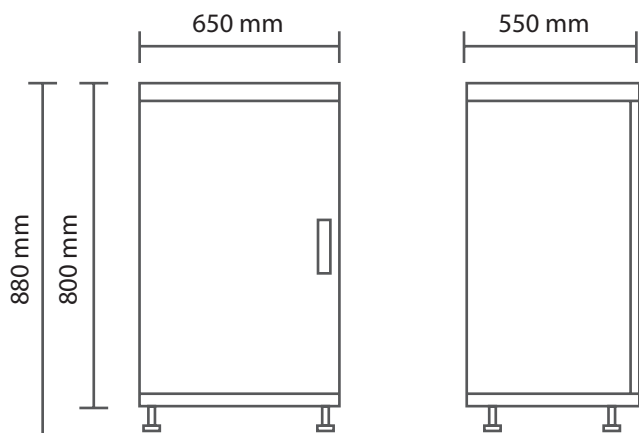
The BYD B-Box is a lithium iron phosphate (LiFePO₄) battery unit with battery management system (BMS) for usage with an external inverter. Thanks to its control and communication port (BMU), the B-Box grows with its requirements. Start with B-Box 13.8 (13.8 kWh usable) and extend anytime to 442 kWh using parallel interconnection of up to 32 devices.

- Flexible combination of capacity by parallel interconnection of several systems

Lithium iron phosphate

- Lithium iron phosphate (LiFePO₄) batteries cannot oxidize and are therefore extremely safe. This assures, that even in a fire or another external violence, the battery will not be a source of danger.
- Environment-friendly
- Particularly high battery power with very long life-time
- Proven and tested in electric vehicles and energy storage applications worldwide

Dimensions



Technical parameters



B-Box 13.8

Battery type	Lithium iron phosphate (LiFePO ₄)
Battery configuration	B-PLUS 13.8 (13.8 kWh)
Usable capacity ¹	13.8 kWh
Max output power	12.8 kW
Peak output power, 60 sec	13.3 kW
Nominal voltage	51.2 V _{DC}
Voltage range	43.2 - 56.4 V
Ambient temperature ²	-10 °C to +50 °C
Interfaces	RS485/CAN
Round trip energy efficiency	≥ 95.3 %
Warranty	10 years
Certifications and standards	UL1642 for cell, EMC (EN 61 000 chapter 4.2, 4.3, 4.5, 4.6; EN55022), dangerous goods (UN3480, UN38.3)
IP protection class	IP20
Dimensions (W/D/H)	650 x 550 x 880 mm
Weight	175 kg
Compatible inverters	SMA / Goodwe / Solax / Victron, more brands to be announced
Scalable	Extend anytime / up to 32 systems parallel / 441.6 kWh

[1] Test Conditions: 100% DOD, 0.5C discharge @+25°C

[2] -10°C to 10°C will be derating

BYD
BYD Company Limited
www.byd.com/energy
E-Mail: bydbbox@byd.com

BYD B-BOX EU Service Partner
EFT-Systems GmbH
www.eft-systems.de
info@eft-systems.de

Your energy storage expert: